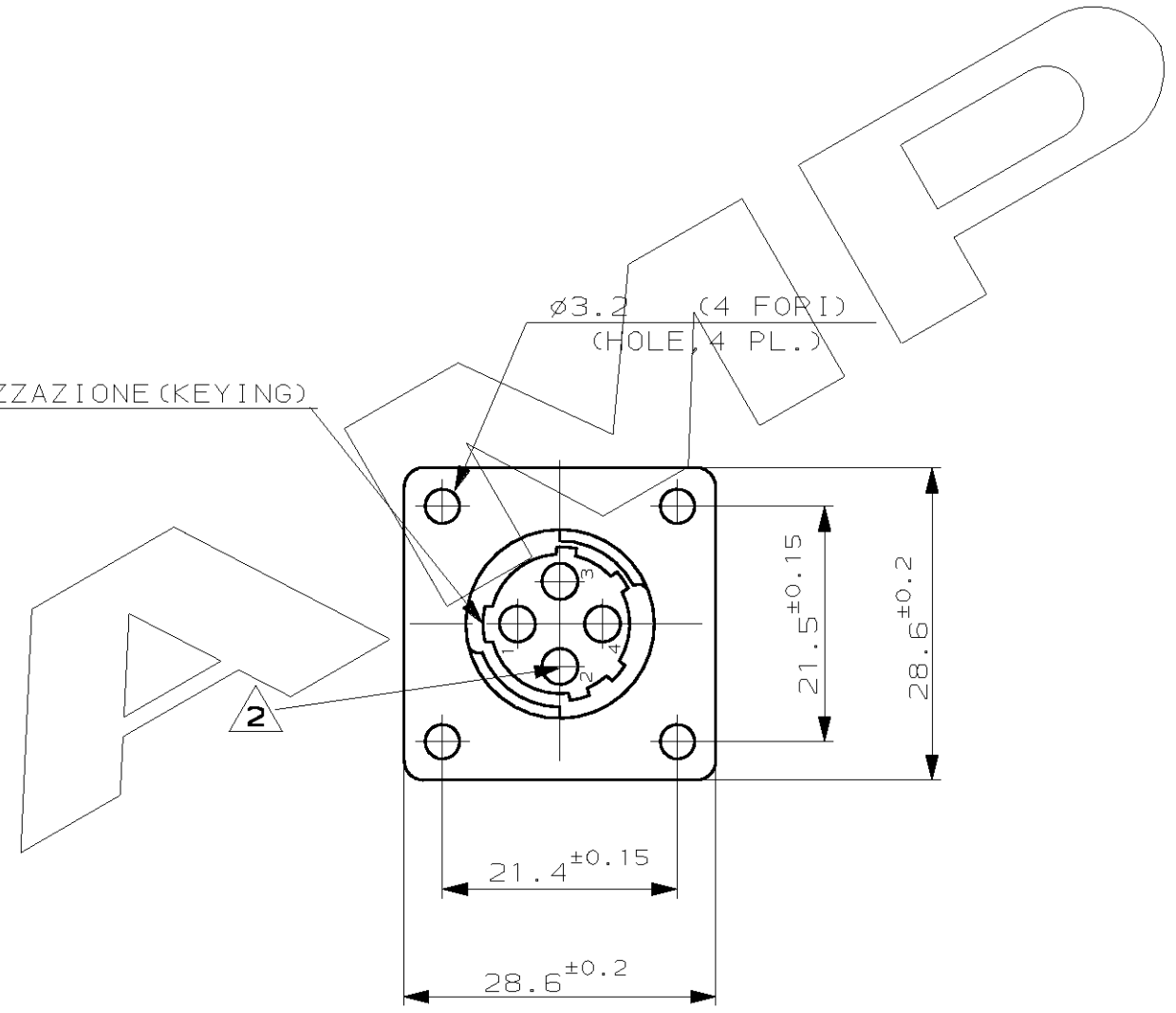


POLARIZZAZIONE (KEYING)



IL DISEGNO INDICA IL P.N. 182917-1
 (P.N. 182917-1 AS SHOWN)

NOTE (NOTES)

- MATERIALE (MATERIAL): TERMOPLASTICO COLORE NERO (THERMOPLASTIC, BLACK COLOR)
- OGNI CAVITA' E' IDENTIFICATA DAL NUMERO POSTO SIA SUL FRONTE CHE SUL RETRO DEL CONNETTORE. (CONTACT CAVITIES IDENTIFIED BY CHARACTERS) (ON FRONT AND REAR FACES OF CONNECTOR.)
- QUESTO CONNETTORE E' APPROVATO CON FILE N.E28476 E CERTIFICATO CON FILE N.LR7189A-259 (THIS CONNECTOR IS RECOGNIZED BY FILE N.E28476 AND CERTIFIED BY FILE N.LR7189A-259)

FINITURA / COLORE (FINISH / COLOUR)		MATERIALE (MATERIAL)		NUMERO (PART NUMBER)	
CUSTOMER DWG. FOR REFERENCE ONLY		DISEGNO PER CLIENTE SOLO PER RIFERIMENTO		19	
THIS DRAWING IS UNPUBLISHED		RELEASE FOR PUBLICATION		19	
© COPYRIGHT 19 BY AMP INCORPORATED, HARRISBURG, PA. ALL INTERNATIONAL RIGHT RESERVED. AMP PRODUCTS MAY BE COVERED BY U.S. AND FOREIGN PATENT AND/OR PATENT PENDING					
TOLLERANZE: SE NON DIVERSAMENTE SPECIFICATO (TOLERANCES: UNLESS OTHERWISE SPECIFIED)		DIAM. ISOLANTE (INS. DIA. RANGE)		RANGO FILO (WIRE RANGE)	
± 0.3		-		-	
ANGOLI (ANGLES)		-		-	
± 2°		-		-	
DIS. - C.CORDOLA (DR.) - 29 JUNE 91		DESCRIZIONE (DESCRIPTION)		C.P.C. SQUARE FLANGE RECEPTACLE FOR PIN CTC.S, SIZE 11-4, STD. SEX	
C2 UPDATED PRODUCT DESCRIPTION FOR ET00-01B2-02 D.C. 29 NOV 2002		CONT. - (CHK) -		LOC. SIZE NUMERO (DWG NO)	
C1 REVISED ET00-0123-99 G.S. 01-08 99		APP. - (APP.) -		I A3 C-182917 C2 1	
A RELEASED C.C. 10-9		REV. (REV.) -		FOGLIO (SHEET) 1 DI (OF) 1	
REV. (REV.) -		DIS. DATA (DR) (DATE)			